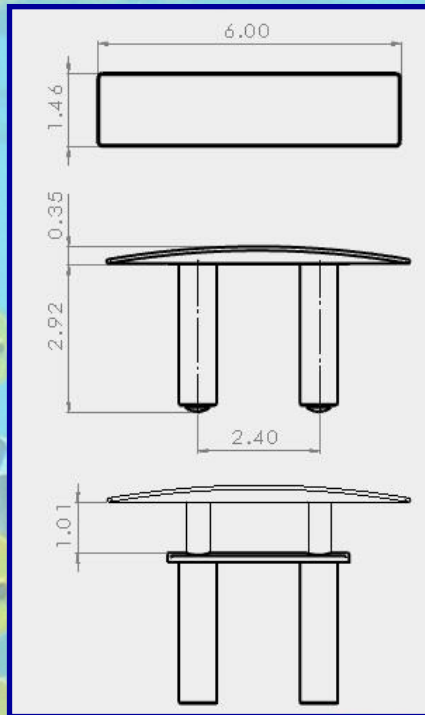


# NEW PRODUCTS *Accon Marine, LLC*



## Rectangular Style Cleat—PN 490

- Currently available in 6" - other sizes coming soon
- Hand polished marine grade 316 stainless steel
- No cut-out required
- Mounded base allows water to run off the cleat

## Brushed Stainless Finish

- New matte brushed finish
- Available in a variety of cleat styles
- Marine grade 316 stainless steel
- 400 hour salt spray tested



# *Accon Marine, LLC*

Phone: 727-572-9202 Fax: 727-572-7621

[www.acconmarine.com](http://www.acconmarine.com)