

FEATURED PRODUCTS



Custom Hardware

Talk to us about our engineering and design assistance capabilities! We produce both cast and fabricated parts, ranging from solid cleats to complex moving assemblies. You can rely on us for consistency and care in our work.



Made of 316 marine grade stainless steel and mirror polished, each Salon Door or Companionway Door can be fully customized to your specifications. Various configurations are possible for components that hinge and flip open, as well as sliding panels.



WHITE WATER
MARINE HARDWARE
Products Built to Last



For more information, please visit www.whitewatermh.com

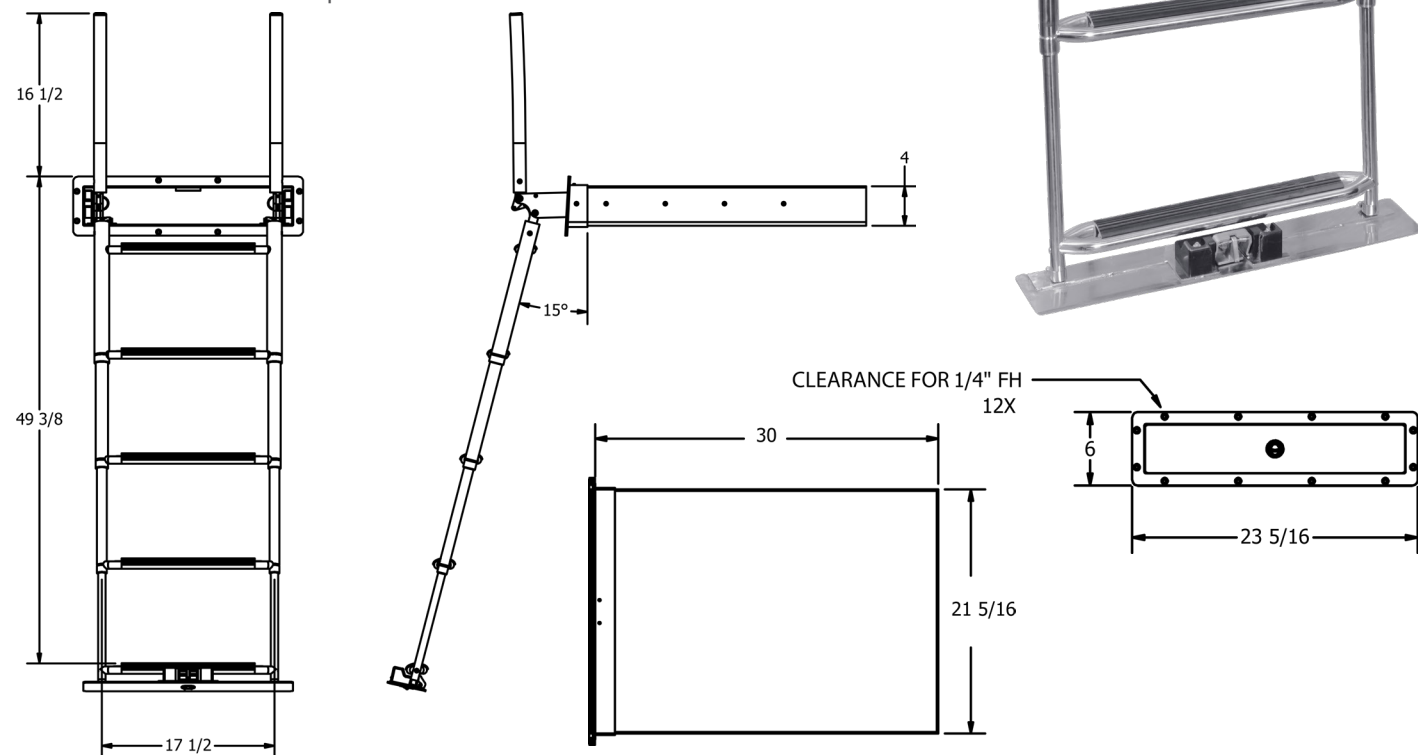
316 Stainless Mailbox Ladder with Handle

US PATENT NO. 11,673,629 B1



B00355MHD-316

- 316 Stainless Steel.
- Patented link design allows ladder to be easily deployed from deck surface or outside the boat.
- All-in-one mailbox ladder with built-in latch.
- Handles are integrated into the design so they stay hidden while underway, yet deploy easily and seamlessly with the ladder.
- Flush face plate.



Featured Products



Newest Ladders



Catalog Pg. 24



Catalog Pg. 29



Catalog Pg. 24

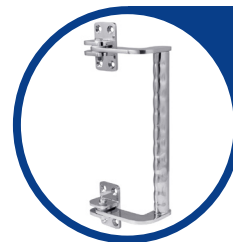
Flip-Tab Deck Fills



Catalog Pg. 91



Catalog Pg. 91



Grab Rails



Catalog Pg. 57



Catalog Pg. 56



Catalog Pg. 56