



SMITH™

Quality • Manufacturing • Innovation

Trailer Products

C.E. Smith Company, Greensboro, NC • (800)334-2490 • cesmith.com

About C.E. Smith Company

C. E. Smith Company, Inc. was established in 1967 as a manufacturing firm producing precision metal stampings, fabrications, and assemblies for a broad variety of industries. For 50+ years the Smith team has been committed to providing high-quality, innovative products and the efficient, responsive service our customer's deserve.

Under the Smith™ trademark, C. E. Smith Company, Inc. manufactures and sells replacement parts for small to midsize boat trailers including trailer fenders, boat guides, galvanized and aluminum bracketry, tire carriers, replacement wheel bearings, rubber rollers, roller shafts, u-bolts, and other necessary component parts for boat trailers. Each year we challenge ourselves to a higher level; introducing new and better products to give our customers a full-line source and the best value in trailer parts and accessories. A variety of parts are stocked and sold to marine distributors and retailers, while many others are custom-made specifically to a trailer builder's specifications. Thanks to the confidence of our customers, we have grown to be a recognized name in the marine industry.

Our boating and fishing products include a variety of stainless steel rod holders available in adjustable clamp-ons, 2-way clamp-ons, and flush mounts, aluminum transom mounts and clamp-ons in a large range of sizes, carbon fiber outrigger poles, t-top storage bags, and fish cooler bags.

Working with our offices in Taiwan and China, we can source unique items for our product line, in addition to providing direct import and private label packaging for both our O.E.M. and aftermarket customers.



Table of Contents

Axles	30
Axle Tie Plate Kits	30
Brackets, Aluminum	16
Brackets, Bolster	14
Brackets, Bunk	15
Brackets, Panel	22
Brackets, Pontoon	15
Brackets, Specialty	14-15
Brackets, Swivel	14
Brackets, Vertical	15
Carpet Rolls	13
Carpeted Bunks	13
Coupler Locks	19
Dollies	27
Drawbar Storage Bag	18
Fenders, Metal	34
Fenders, Mounting, Metal	35
Fenders, Plastic	34
Fenders, Mounting, Plastic	35
Guide-On Accessories	11
Guide-Ons, Bunkboard	8
Guide-Ons, Components	12
Guide-Ons, Pontoon	9
Guide-ons, Post	4-7
Guide-Ons, Roller	20
Keel Rollers and Pads	21
Hub Components	29
Hub Kits	28
LED Post Lamps	11
Multi-Sport Trailer	32
Multi-Sport Plus	33
Receiver Pins	19
Roller Bunks	10
Roller Shafts	22
Rollers, Bow Bell Assemblies	26
Rollers, Ribbed Kits	26
Rollers, Rubber	23-25
Rollers, TPR	23
Rollers, Wobble Roller Kits	26
Safety Chains	19
Spare Tire Carriers	17
Spare Tire Covers	17
Springs	33
Tail Light Accessories	18
Trailer Accessories	18-19
U-bolts	20
Wheel Nuts	30
Wiring Clips	19



Guide-Ons 3-10

**Bolster
Brackets 14**



**LED Post Guide
Lamps 11**



**Roll
Carpet 13**



**Rubber
Rollers 24-25**



**Spare Tire
Carriers 17**



TPR Rollers 23



Hub Kits 28

40" Post Guide-Ons

40" Post Guide-Ons

- The perfect addition to assist with backing trailers down a ramp and for loading your boat back on your trailer.
- Smith's 40" post guide-ons fit frames up to 3" wide by 4-1/2" tall.
- Mounting brackets and metal uprights allow for 13" of adjustment on each side of the trailer frame.
- Can be mounted above or below trailer frame.
- 1-1/2" square 16 gauge pre-galvanized steel uprights are strong and corrosion resistant.
- PVC tube is 2-3/8" Outer Diameter.
- Lighted models are topped with tough water and shock proof red and amber LED lamps for added visibility.
- Available in black or white. Sold in pairs.



27620

Model	Description
27620	40" Post Guide-Ons with Unlighted Posts
27626	40" Black Post Guide-Ons with Unlighted Posts
27740	40" Post Guide-Ons with Lighted Posts



27626



These images show the LED lamps included with **Model 27740** or **27760** while off and on.



60" Post Guide-Ons

60" Post Guide-Ons

- The perfect addition to assist with backing trailers down a ramp and for loading your boat back on your trailer.
- Smith's 60" post guide-ons fit frames up to 3" wide by 4-1/2" tall.
- Mounting brackets and metal uprights allow for 19" of adjustment on each side of the trailer frame.
- Can be mounted above or below the trailer frame.
- 1-1/2" square 16 gauge pre-galvanized steel uprights are strong and corrosion resistant.
- PVC tube is 2-3/8" Outer Diameter.
- Lighted models are topped with tough water and shock proof red and amber LED lamps for added visibility.
- Sold in pairs.

Model	Description
27640	60" Post Guide-On with Unlighted Posts
27760	60" Post Guide-On with Lighted Posts
27646	60" Black Post Guide-On with Unlighted Posts



27640



27646

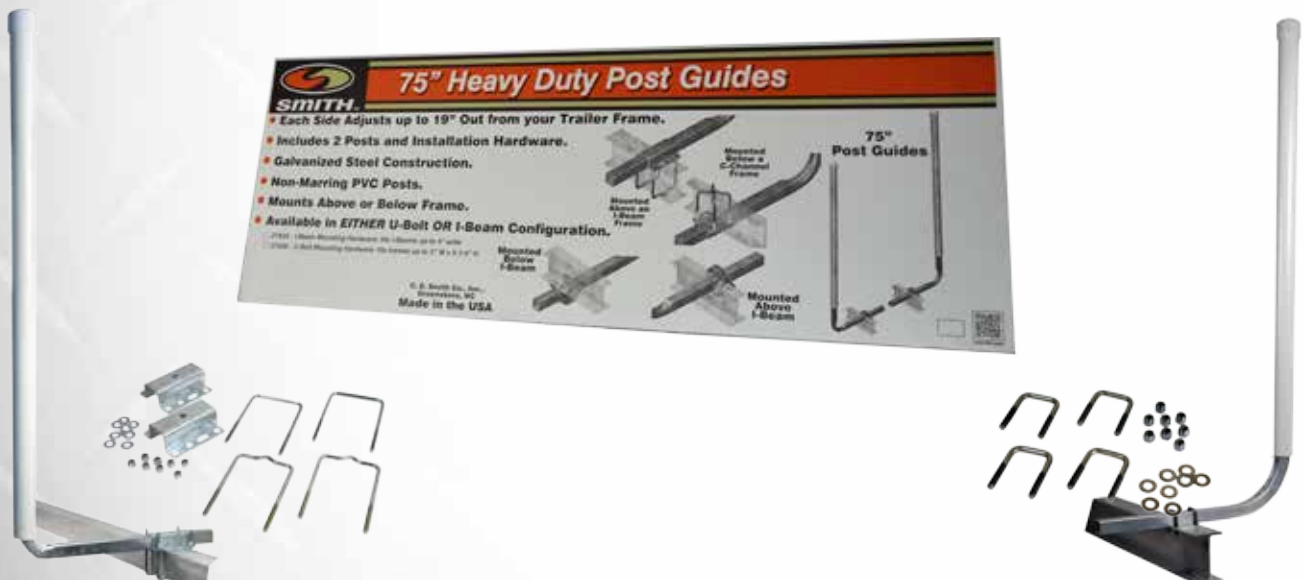
65" & 75" Post Guide-Ons



75" Post Guide-Ons

Model 27636

- The perfect addition to assist with backing trailers down a ramp and for loading your boat back on your trailer.
- Smith's 75" post guide-ons fit frames up to 3" wide by 5-1/2" tall.
- Mounting brackets and metal uprights allow for 19" of adjustment on each side of the trailer frame.
- Can be mounted above or below the trailer frame.
- 1-1/2" square, 16 gauge pre-galvanized steel uprights are strong and corrosion resistant.
- PVC tube is 2-3/8" Outer Diameter.
- Sold in pairs.



65" Heavy Duty Hot Dip Galvanized Post Guide-Ons

Model 27637

These post guide-ons serve the same purpose that all other Smith post guide-ons do, however these include metal uprights made of a thicker 12 gauge steel that has been hot-dip galvanized for greater corrosion resistance, making this set of post guide-ons ideal for heavy salt water use. This guide-on fits channel frames up to 4" wide by 5-1/4" tall, and any size of I-beam frame due to the two mounting options included. The metal uprights can be adjusted up to 19" out from the side of the frame.

65" Aluminum Post Guide-Ons

Model 27638

These post guide-ons utilize uprights that mount directly to your I-Beam trailer frame using stainless steel u-bolts, nuts and washers for a fit that will work on virtually any size I-Beam frame. The metal uprights can be adjusted up to 19" out from each side of the trailer frame. Recommended for I-Beam trailer frames used in salt water due to the corrosion resistance of aluminum. **WARNING:** To reduce the risk of nut seizure when using stainless steel hardware always apply a light coat of grease to threads prior to assembly.

I-Beam Mounted Post Guide-Ons



- The perfect addition to assist with backing trailers down a ramp and for loading your boat back on your trailer.
- Smith's I-Beam Mounted Post Guide-Ons fit virtually any size I-Beam trailer frame.
- Mounting brackets and metal uprights allow for 19" of adjustment on each side of the trailer frame.
- 1-1/2" square, 16 gauge pre-galvanized steel uprights are strong and corrosion resistant.
- PVC tube is 2-3/8" Diameter.
- Available in 60" or 75" height
- Sold in pairs.

<i>Model</i>	<i>Description</i>
27635	75" I-Beam mount with Unlighted Posts
27648	60" I-Beam mount with Unlighted Posts



Tips & Tricks: Choosing the right mounting hardware.

U-Bolts and Mounting Brackets:

Ideal for trailers with box or channel frames, uprights mount onto trailer frame with brackets and U-bolts that accommodate trailer frames up to 3" wide x 4-1/4" tall (or 3" x 5-1/4" for model # 27636). Brackets may be installed above or below the frame if needed.



I-Beam Mounting Brackets:

Ideal for I-Beam trailers, our I-Beam brackets will fit virtually any I-Beam width, and work for any height. Brackets can be installed above or below the frame if needed.



Bunkboard Guide-Ons

Bunkboard Guide-Ons

These bunkboard guide-ons provide positive centering assistance when loading a boat at the ramp. Black marine grade carpet-encased wooden bunkboards are mounted on pivots and adjust easily to cradle the sides of your boat. Pre-galvanized 1-1/2" square steel uprights angle out at 75° and mount onto trailer frames up to 3" wide by 4-1/4" tall. These bunkboard guide-ons ride 21" above the frame, and the included mounting hardware allows for 13" of adjustment out from each side of the trailer frame. Comes complete as a pair for both sides of a trailer.

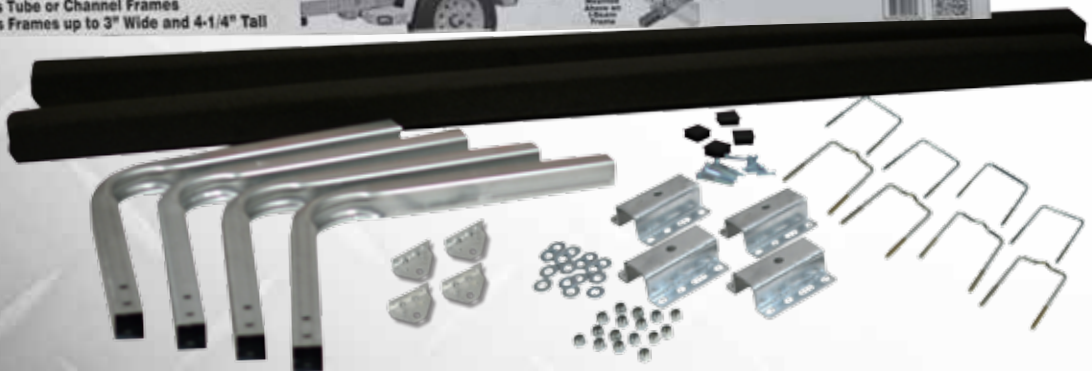
Model	Description
27600	Five Foot Bunkboard Guide-On
27660	Two Foot Bunkboard Guide-On



27600



27660



Pontoon Guide-Ons

22" Pontoon Post Guide-Ons

Model 27670

Ideal for bunk style pontoon trailers with Box, C-Channel or I-Beam trailer frames up to 3" wide by 4-1/4" tall. These PVC pontoon post guide-ons easily guide pontoons into the correct position above the trailer. Height is 22" above the trailer frame. Mount with posts 2-3" from pontoons on a trailer frame rail or cross member. Galvanized steel construction with zinc hardware included. Sold in pairs.



Pontoon Carpeted Bunk Guide-Ons

Model 27671

Ideal for bunk style pontoon trailer with Box, C-Channel or I-Beam trailer frames up to 3" wide by 4-1/4" tall. Pontoons glide easily past the carpeted bunkboards guiding the pontoon boat onto the trailer. Height is adjustable and is set during install between 24" to 36" above the trailer frame. Mount with bunks 2-3" from pontoons on a trailer frame rail or cross member. Galvanized steel construction with zinc hardware included. Sold in pairs.



Pontoon Roller Guide-Ons

Model 27672

Ideal for bunk style pontoon trailer with Box, C-Channel or I-Beam trailer frames up to 3" wide by 4-1/4" tall. Minimum friction rolling action helps to easily guide your pontoon boat onto your trailer. Height is 25" above the trailer frame. Mount with rollers 2-3" away from pontoons on a trailer frame rail or cross member. Galvanized steel construction with zinc plated hardware. Includes two rubber roller bunks. Sold in pairs.



Roller Guide-Ons



Roller Guide-Ons

Model 27610

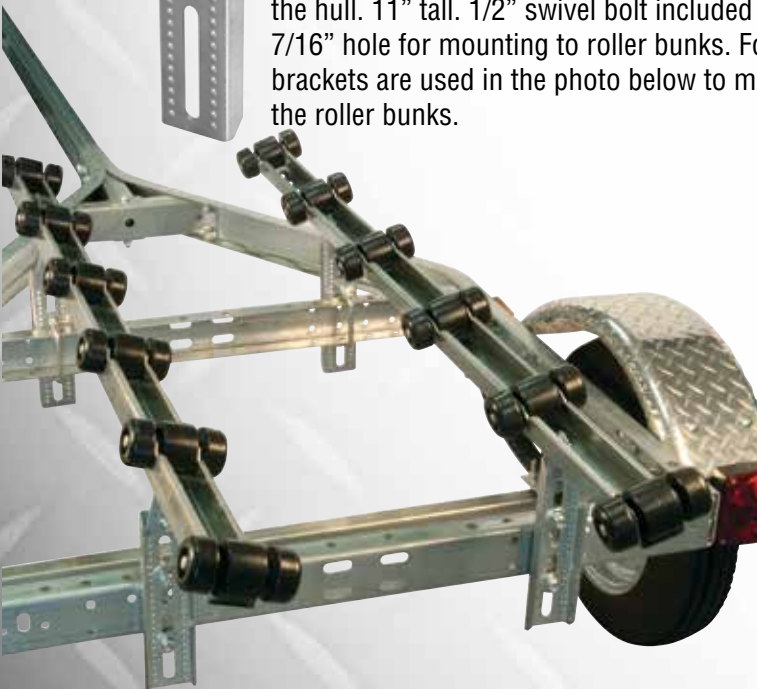
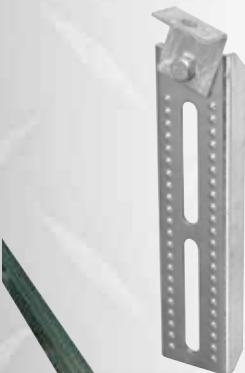
Provides positive centering assistance when loading a boat at the ramp. Pre-galvanized 1-1/2" steel uprights with rollers come fully assembled and ready for installation. Mounts using brackets that fit frames up to 3" wide by 4-1/4" tall. These guide-ons sit 21" tall above the frame with 9" rollers and 2" roller caps at top and bottom. Mounting brackets allow for up to 13" of adjustment out from each side of the frame. Comes as a complete pair for both sides.



Roller Bunk Mounting Bracket

Model 10003GA

Perfect for use under roller bunks (shown below) when the bunks need to be raised up off the frame. Adjustable 11 ga top swivel bracket allows bunks to tilt to the shape of the hull. 11" tall. 1/2" swivel bolt included. 7/16" hole for mounting to roller bunks. Four brackets are used in the photo below to mount the roller bunks.



Roller Bunks

Makes loading and unloading small craft at short or even dry ramps easy. Perfect for ramps where it is not practical to float the boat onto the trailer. Fully assembled with durable 2" polypropylene rollers on shafts mounted in a heavy gauge pre-galvanized channel. Supports up to 1,500 lbs. of well distributed weight. May be installed using 10003GA mounting brackets as shown if lift or angle is needed, or may be bolted directly to the trailer frame, for flat bottom boats, or may be mounted on top of existing bunks. Mounting hardware is NOT included. Sold in pairs.

Model	Description
27700	5 Rollers, 4' Overall Length
27710	6 Rollers, 5' Overall Length

Guide-On Accessories

LED Light Kit for Post Guide-Ons

Model 27656A

These waterproof and shockproof lamps provide even more visibility to our line of post guide-ons for bright and easy backing. Lamps fit perfectly over standard 2" schedule 40 PVC posts, (2-3/8" actual OD). Any smaller OD posts can be easily shimmed up to fit. When not energized, lamps appear clear, when energized, LEDs glow red on one side and amber on the other. Mount with amber side facing forward and red side facing rearward. This kit contains two lamps, each with 8' of wire and all mounting hardware



Post Guide-On Covers

Protects the boat finish from scuffs. Sized for a close fit on 2" schedule 40 PVC (2-3/8" actual OD). Made from strong polyurethane coated 600D nylon fabric with nylon closures on each end. Open bottom and top allow for LED guide-on lamps. 1/2" thick closed cell polyurethane foam inner pad. Sold in pairs

Model	Description
27900	36" Cover Black
27901	48" Cover Black



Tail Light Bracket for Post Guide-Ons

Model 27650A

Fits 2" schedule 40 PVC Post Guide-Ons (2-3/8" measured OD), can fit smaller sizes too. Made from 12 gauge pre-galvanized steel, this kit contains two brackets, all mounting bolts, electrical connectors, and two 8' lengths of extension wire to relocate your stop tail lamps to your PVC posts. Lamps are not included.



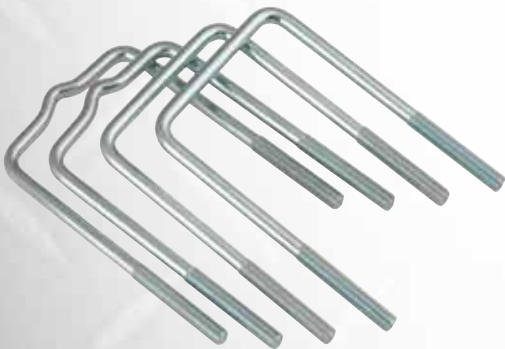
Guide-On Components

Replacement Component Parts for Guide-Ons

Post Guide-On Model #	PVC Post	Pre-Galv Upright	Bracket	U-Bolt Formed	U-Bolt Straight	Nut	Washer	Post Cap	I-Beam Clamp Kit	LED Lamp Kit
27620	11339	27608PG	27603PG	15259	15258	10810	10960	11331/DRILLED	/	/
27635	11341	27605PG	/	/	/	/	/	11331/DRILLED	27682A	/
27636	11341	27605PG	27603PG	15261	15260	10810	10960	11331/DRILLED	/	/
27640	11340	27605PG	27603PG	15259	15258	10810	10960	11331/DRILLED	/	/
27648	11340	27605PG	/	/	/	/	/	11331/DRILLED	27682A	/
27670	11374	27622PG	27603PG	15259	15258	10810	10960	11331/DRILLED	/	/
27740	11339	27608PG	27603PG	15259	15258	10810	10960	/	/	27656A
27760	11340	27605PG	27603PG	15259	15258	10810	10960	/	/	27656A
27626	11329	27608PG	27603PG	15259	15258	10810	10960	11389D	/	/
27646	11354	27605PG	27603PG	15259	15258	10810	10960	11389D	/	/
27637	11397	27267G	27603G	15261G	15260G	10830G	10960G	11331/DRILLED	/	/
27638	11387	27611	/	/	15303	10810SS	10960SS	11331/DRILLED	/	/

Bunkboard Guide-On Model #	Carpeted Bunk	Pre-Galv Upright	Bracket	U-Bolt Formed	U-Bolt Straight	Nut	Washer	Square Cap	Optional I-Beam Clamp Kit
27600	27821	27609PG	27603PG	15259	15258	10810	10960	11332	27682A
27660	27831	27609PG	27603PG	15259	15258	10810	10960	11332	27682A

Roller Guide-On Model #	Roller Assembly	Pre-Galv Upright	Bracket	U-Bolt Formed	U-Bolt Straight	Nut	Washer	Square Cap	Optional I-Beam Clamp Kit
27610	27612PG	27609PG-1	27603PG	15259	15258	10810	10960	11332	27682A



Extra Long Guide-On Mounting Bracket U-Bolts

Model 11416

This set of U-bolts allows Smith's guide-on brackets to fit extra tall trailer frames up to 5-1/4" tall and up to 3" wide. This set includes 2 straight U-bolts and 2 formed U-bolts. Nuts and washers are not included but they fit the ones included in guide-on kits. One set will be enough for the majority of our guide ons.

PLEASE NOTE: For Model # 27600 5' Bunkboard Guide-Ons you will need two sets of the Extra Long Guide-On Mounting Bracket U-Bolts.



I-Beam Frame Guide-On Mounting Bracket Kit

Model 27682A

Allows any Smith guide-on with 1-1/2" square uprights to mount onto any steel or aluminum I-Beam trailer frame. This kit includes 4 brackets, 2 short 3/8" bolts and 2 long 3/8" bolts to mount two guide-on uprights. Select the bolt length for your I-Beam width. Zinc plated steel hardware, galvanized brackets.

PLEASE NOTE: For Model # 27600 5' Bunkboard Guide-Ons you will need two sets of the I-Beam Frame Guide-On Mounting Bracket Kit.

Carpet

About our carpet:

Our carpet is high quality marine grade weather resistant carpet. Made of 100% PET Polyester with a durable backing it retains minimal water to keep it lasting longer. 16.1 ounce per square yard weight. Pile Height 5/32".

Marine Carpeted Bunk Boards

2x4" untreated Southern pine bunk boards wrapped in top quality weather resistant marine grade carpet. Sold in wrapped pairs.



Model	Color	Length
27830	Black	24"
27800	Black	36"
27810	Black	48"
27820	Black	60"
27840	Black	72"
27845	Black	84"

Marine Carpet Rolls

11" Wide

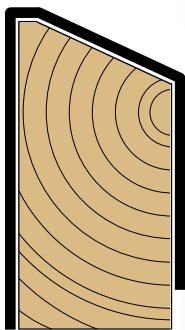
Model	Color	Length
11350	Blue	12'
11372	Grey	12'
11330	Black	12'
11350-2	Blue	150'
11372-2	Grey	150'
11330-2	Black	150'

18" Wide

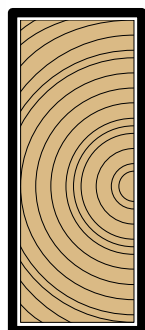
Model	Color	Length
11373	Grey	18'
11349	Black	18'
11349-2	Black	18'



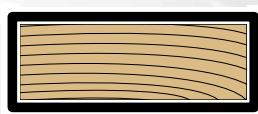
Tips & Tricks: What width carpet roll do I need?



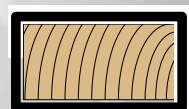
18" Covers a 4" x 8"



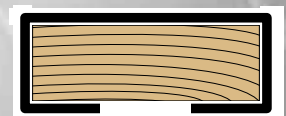
18" Covers a 3" x 8"



18" Covers a 2" x 6"



11" Covers a 2" x 4"



11" Covers a 2" x 6"

Brackets



Bolster Brackets

Made of 11 ga galvanized steel these brackets are 2-1/2" wide, with 1/2" wide slots and a swivel hole 1/2" in diameter.

Model	Length	Slot Length
10100G40	8"	2-3/4"
10101G40	10"	3-3/4"
10102G40	12"	4-3/4"



Swivel Bracket Assembly

A fully assembled swivel bracket assembly comes ready to install made from our bolster brackets and swivel brackets. Each assembly uses the 10200G Swivel Bracket

Model	Uses Bolster Bracket	Overall Assembly
10000G	10100G	9"
10001G	10101G	11"
10002G	10102G	13"

Swivel Brackets

Our swivel brackets come in a variety of sizes and materials to fit your specific needs. They all have 3/8" diameter bunk flange holes, with bunk flanges measuring 1-3/8" x 3-1/2". With 1/2" diameter swivel flange holes, and swivel flanges measuring 2" tall x 3-1/2".

Model	Finish	Material	UM	Bunk Flange Hole Centers
10205GA	Galv	10 ga	PR	2-1/2" + one hole centered
10206GA	Galv	7 ga	EA	2-1/2" + one hole centered
10200G40	Galv	11 ga	EA	2-1/2"
10201G40	Galv	11 ga	EA	2"
10201PG	Pre-Galv	11 ga	EA	2"



10206G40



10200G40



10205GA

Double U-Bolt Bolster Brackets

Mounting bunk boards using double U-bolt bolster brackets provides the most rigid bolt-on bracket mounting possible. Made from heavy 7 ga galvanized steel, these brackets are 4" wide with slots that are 1/2" wide spaced 1-3/4" apart with a top hole diameter of 1/2".

Model	Overall Height
10190G40	8-3/4"
10191G40	9-3/4"
10192G40	11-3/4"
10196GA	15"



Tie Down Bracket

Model 26214GA

Great for securing your boat, motorcycle, mower, or anything you carry on your trailer. Bolt anywhere a tie strap attachment point is needed. 4" tall with a 30° bend. Large 7/8" hook hole passes any tie-down hook easily. Smaller 9/16" bolt hole for mounting to the side of the trailer.



Adjustable Front Y Bar Bracket

Model 10170GA

Used to mount a 2" square tube vertically onto frame cross member. Commonly used to mount a Y shaped bow guide. 9/16" diameter holes.





Light Duty Vertical Bunk Brackets

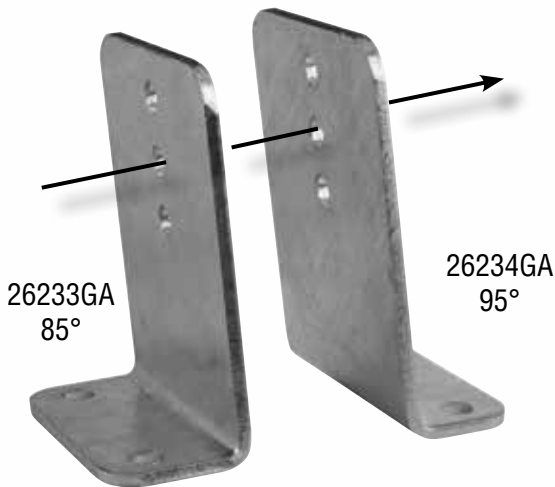
Ideal for small craft trailers, a single bracket will allow the bunk board to pivot with the hull as the boat is loaded. You can also use two brackets on separate cross members to hold the bunk board in a fixed position. Made from 11 gauge glavanized steel with top bolt holes 7/16".

Model	Style	Length	Slot
10601G40	Smooth	12-5/8"	1/2" x 9-1/8"
10600G40	Lanced	9-1/2"	7/16" x 6"
10604G40	Lanced	8-1/2"	7/16" x 2-1/2"
10603G40	Dimpled	7-1/2"	7/16" x 4-3/8"

90° Heavy Duty Vertical Bunk Brackets

5" wide and 1/4" thick these heavy duty vertical bunk brackets are strong enough to mount large bunk boards to carry larger boats. Sold individually.

Model	Finish	Height
10160GA	Galv	6"
10161GA	Galv	8"
10162GA	Galv	10"



85° & 95° Heavy Duty Vertical Bunk Brackets

Similar to the 90° brackets except the bottom mounting flanges are angled. Use when an angle is needed due to V-shaped cross members. Use in pairs of one 85° and one 95° brackets, so bolt holes will be in alignment. Hot dip galvanized, 5" wide and 1/4" thick. Sold individually.

Model	Height	Base Angle
26233GA	6"	85°
26234GA	6"	95°



Pontoon Bolster Brackets

Pontoon bolster brackets support bunkboards in a shallow V cradle configuration that best suits pontoon hulls. Best when installed with 2x6, 2x8, or 2x10 carpeted bunk boards laid flat. A bracket should be installed at each frame cross member for maximum support and load capacity.

Model	Finish	Material
26244GA	Galv	11 ga
26265G	Galv	11 ga
10052-32GA	Galv	3/8"



Aluminum Brackets

Swivel Brackets

Our swivel brackets come in a variety of sizes and materials to fit your specific needs. They all have 3/8" diameter bunk flange holes, with bunk flanges measuring 1-3/8" x 3-1/2". With 1/2" diameter swivel flange holes, and swivel flanges measuring 2" tall x 3-1/2".

Model	Finish	Material	UM	Bunk Flange Hole Centers
10206AA	Alum	7 ga	EA	2-1/2" + one hole centered



90° Heavy Duty Vertical Bunk Brackets

5" wide and 1/4" thick these heavy duty vertical bunk brackets are strong enough to mount large bunk boards to carry larger boats. Sold individually.

Model	Finish	Height
10160A40	Alum	6"
10161A40	Alum	8"
10162A40	Alum	10"



Bolt-On Tail Light Brackets

Model 26057AA

Mounting holes fit standard DOT stop/tail lights to locate lights on the side of the trailer frame. 3/8" carriage bolt holes for frame mounting. Hardware not included.



Bolster Brackets

Model 10100A40

Made of aluminum these brackets are 2-1/2" wide, with 1/2" wide slots and a swivel hole 1/2" in diameter. Overall length 8" with slot length of 2-3/4".



Double U-Bolt Bolster Brackets

Model 10190A40

Mounting bunk boards using double U-bolt bolster brackets provides the most rigid bolt-on bracket mounting possible. Made from aluminum, these brackets are 4" wide with slots that are 1/2" wide spaced 1-3/4" apart with a top hole diameter of 1/2". Overall height is 8-3/4".



Adjustable Front Y Bar Bracket

Model 10170A40

Used to mount a 2" square tube vertically onto frame cross member. Commonly used to mount a Y shaped bow guide. 9/16" dia holes.



Spare Tire Accessories

U-Bolt Spare Tire Carriers

Strong 7/16" rod construction with 20 pitch fine threaded nuts or spin on threaded locking plates. Fits on frames, tongues or rails up to 3" wide. These spare tire carriers have 3" of thread to fit a variety of frame thicknesses and wheel sizes. To find the length you need add together the frame width + 1/2 tire width + 1". Mounts 4 or 5 lug wheels. Fits 8", 10", 12", 13", 14" and most 15" wheels. Zinc plated and packed one per blister pack.

Model	Description	Length
27200	With Lug Nuts	8-3/4"
27201	With Spin-On Lock Brackets	8-3/4"
27202	With Spin-On Lock Brackets & Lock	8-3/4"
27206A	With Lug Nuts	12"



27201



27200



27202



27206A

Offset Spare Tire Carrier

Model 27310G

Perfect for mounting your spare tire vertically to the side of your trailer tongue, frame or rails. Mounting U-bolts may be crossed to fit shorter frames or may be installed parallel for more height to fit frames 3-1/2" or 4" tall. Fits frame widths 1" up to 3-1/2". Accepts 4 and 5 lug wheels up to 15" in size. Vertical offset = 5" Side offset = 4-1/2" Bracket is constructed from 3/16" thick hot dip galvanized steel. Complete with all zinc plated hardware for mounting. Sold individually.



Spare Tire Covers

Made of strong black vinyl fabric with a corded edge and an elastic rear opening to grip the tire and stay in place. Weather and UV resistant to protect tires from sun exposure and road grime. Vented bottom for drainage. Packed one per blister

Model	Tire Size	Tire Dia.	Max Tire Width
27410	12"	21"	6-1/2"
27420	13"	25"	7-1/2"
27430	14"	27"	8-1/2"
27440	15"	29"	9-1/2"



Trailer Accessories

Bolt-On Tail Light Brackets

Model 26057G40

Mounting holes fit standard DOT stop/tail lights to locate lights on the side of the trailer frame. 3/8" carriage bolt holes for frame mounting. Hardware not included.



26057G40



Tail Light Protectors

Added protection for fragile trailer tail lights, these protectors mount between the existing tail light mounting brackets and the lamp using the two lamp mounting studs. Mounting holes fit standard DOT stop/tail lamps. No hardware is required for installation.

Model	Material	Thickness	Packaging/UM
26051A	Alum Tread	0.100"	UPC Label/EA
26051	Alum Tread	0.100"	Bulk

License Plate Bracket

Model 26053A

Upgrade the appearance of your trailer with an aluminum tread plate license plate bracket that fits the standard left side DOT stop/tail lamps. No mounting hardware is required for installation. This bracket installs between existing tail light mounting bracket and the left side tail light via the lamps two mounting studs. Made of 0.100" thick aluminum tread plate, this bracket is packaged individually with a hang card.



Drawbar Storage Bag

Model 27481

Where do you store your drawbar when it isn't needed? This tough 600D nylon storage bag is the ideal place gets the drawbar off your bumper where it bangs your shins everyday and contains the weathered steel bar neatly inside your vehicle under your seat or in your trunk. Easily holds any standard 2" receiver drawbar up to a 2" rise or 4" drop. (4" drop is shown). Dimensions: 15" L x 6" H x 4" W. Blister packed each.



Folding Wheel Chocks

Model 32600

Holds your trailer or tow vehicle in place, yet folds down flat for storage. Sets up in seconds. Includes 2 chocks in a convenient storage case.





Coupler Lock

Model 00900-40

Corrosion resistant solid brass coupler lock prevents theft and accidental uncoupling. Supplied with 2 keys, fits standard trailer coupler lock levers. 1/4" locking pin. 3/4" wide opening.



Coupler Lift Handle

Model 32420A

Provides a safe and secure lifting handle for trailer couplers. Dual mounting holes are sized and spaced to share existing mounting bolts for most 1-7/8" and 2" bolt on couplers. Strong zinc plated steel with vinyl grip.



Coupler Safety Pin

Model 00900-37A

Spring locking action secures the coupler clip and prevents accidental uncoupling. Zinc plated steel, 1/4" pin shank fits all couplers. 1-3/4" usable shank length. 1-1/2" clearance under spring arm.



Locking Receiver Pin

Prevent theft and accidental uncoupling. Includes 2 keys and a dust cover. Solid steel pin fits 2" or smaller hitch receivers.

Model	Pin Size
32410	1/2"
32400	5/8"



Receiver Pin

Durable zinc plated solid steel pin with retainer clip. Fits 2" or smaller hitch receivers.

Model	Pin Size
32510A	1/2"
32500A	5/8"



Frame Clips

Model 16867A

All trailer light kits come with a few of these, but never enough to secure the wiring along the frame as frequently as you want. With a pack or two of these clips you can secure your drooping trailer wiring. 10 per pack. Zinc plated steel clips 3/8" wide, and grips edges up to 5/32" thick.

Safety Chain S-Hook Keepers

Model 16691A

Black poly S-hook keepers for secure and safe trailering. Two per pack. Long lasting and UV resistant.



Snap Hook

Model 16795A

Replacement 4" long snap hook for winch straps and cables. 3/4" eye hole. Zinc plated forged steel. Rated up to 7,000 lb load.



Safety Chains

Proof coil trailer coupler safety chains with heat treated S-hooks. Integrated security spring clip prevents accidental un-hooking. Zinc plated, two per blister pack. 24" long.

Model	Class	Rating	Chain Size	Actual
16651A	I	2,000 lbs	3/16"	0.218"
16661A	II	3,500 lbs	5/0	0.250"
16671A	III	5,000 lbs	1/4"	0.281"
16681A	IV	7,600 lbs	8/0	0.343"



U-Bolts

Each u-bolt is packed with hardware shown in an attached blister pack.

Galvanized U-Bolts

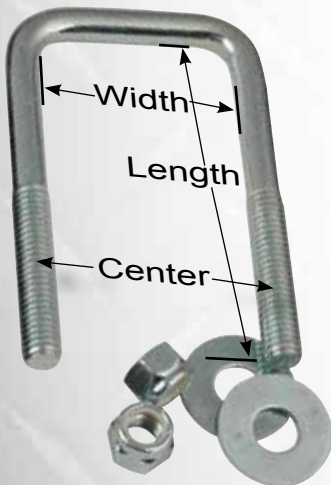


Model	Form	Dia/Thread	Width	U-Bolt Center	Inside Length
15285GA	Round	3/8"-16	1-3/4"	2-1/8"	4-13/16"
15288GA	Square	3/8"-16"	1-5/8"	2"	3-9/16"
15281GA	Square	7/16"-14	1-9/16"	2"	3-9/16"
15282GA	Square	1/2"-13	1-9/16"	2-1/16"	4-1/6"
15283GA	Square	1/2"-13	3-1/16"	3-9/16"	3-13/16"
15284GA	Square	1/2"-13	2-1/16"	2-9/16"	4-13/16"
15286GA	Round	1/2"-13	2-3/8"	2-7/8"	5-3/8"
15287GA	Round	1/2"-13	3-1/16"	3-9/16"	6-11/16"

Stainless Steel U-Bolts

WARNING: To reduce the risk of nut seizure when using stainless hardware always apply a light coat of grease to threads prior to assembly.

Model	Form	Dia/Thread	Width	U-Bolt Center	Inside Length
15501A	Square	7/16"-14	2-1/8"	2-9/16"	4"
15502A	Square	7/16"-14	3-1/8"	3-9/16"	3"
15503A	Square	7/16"-14	3-1/8"	3-9/16"	4"
15504A	Square	7/16"-14	4-1/8"	4-9/16"	3"



Zinc Plated U-Bolts

Model	Form	Dia/Thread	Width	U-Bolt Center	Inside Length
15251A	Square	7/16"-14	2-1/8"	2-9/16"	4"
15252A	Square	7/16"-14	3-1/8"	3-9/16"	3"
15253A	Square	7/16"-14	3-1/8"	3-9/16"	4"
15254A	Square	7/16"-14	4-1/8"	4-9/16"	3"
15274A	Square	1/2"-13	3-1/8"	3-5/8"	4-1/4"

Smith Bracket U-Bolt

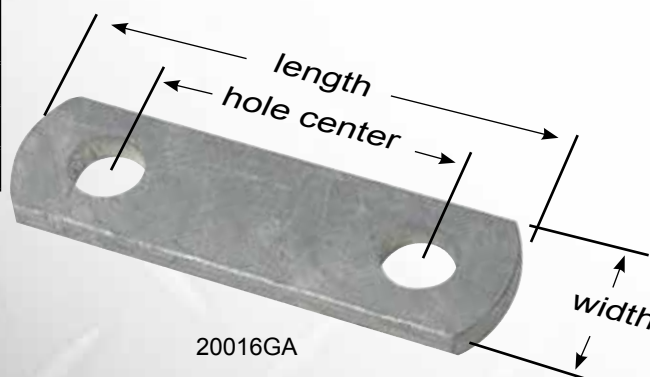
Model	15260A
-------	--------

3/8" x 3-1/2" x 6" general use square u-bolt. Includes nylon lock nuts and washers. Zinc plated. 1 per blister pack.

Galvanized Steel Frame Straps for U-Bolts

Frame straps are made from 1/4" thick galvanized steel. Each strap is 1-1/4" wide with 9/16" holes. Sold as pairs in a blister pack.

Model	Length	Hole Center
20016GA	4"	2-9/16"
20017GA	5"	3-1/2"
20028GA	6"	4-1/2"



Keel Protection



Keel Roller Bracket Assemblies

Galvanized steel.

Model	Description	Material	Shaft	Hole	Centers
32100G	1-1/2" wide base for 2"-2-1/2" tongue roller assembly	3/16"	5/8"	7/16"	3"
32110G	3" wide base for 2" tongue roller assembly	1/8"	5/8"	1/2"	2-1/2"
32150G	3" wide base for 2-3" tongue roller assembly	1/8"	5/8"	Slots	3"

Adjustable Keel Roller Bracket Assemblies

Perfect for adding keel support forward along the tongue. Available with black rubber rollers or with yellow TPR rollers. Includes pair of 3/8" bolts to fit 2" or 3" wide frames.

Model	Roller Color	Tongue Width	Roller Width
32003G	Black Rubber	3"	5"
32013G	Yellow TPR	3"	5"
32005G	Black Rubber	2"	4"
32004G	Brackets Only		



Tips & Tricks: How to use the Keel Roller Brackets?

Can't find an assembly that works for you? Here are the steps to use Model # 32004G to create your own.

Mounting: Add 1" to tongue width to determine the length of the two 3/8" mounting bolts you will need.

Roller: Add 2" to tongue width to determine the correct roller length you will need.

Shaft: Add 3" to tongue width to determine the 5/8" shaft length you will need.

Side Angle "L" Brackets

Model	10211G

7 ga, 1/2" shaft hole, 3/8" mounting hole. Sold in pairs. (Typical use shown below. Roller and shaft not included.)



Jon Boat Bow Support

Model	27580

24" carpeted bunk mounts crossways on the trailer tongue to support the flat bottom of a Jon boat. Adjustable from 5-1/2" up to 8" above the tongue. Includes all mounting hardware for a 2" or 3" wide tongue.



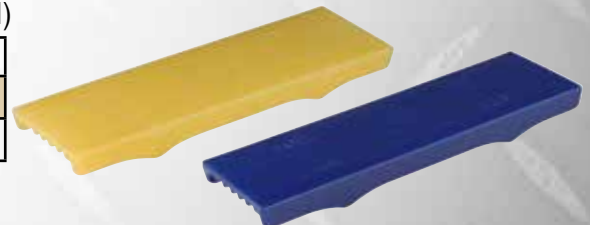
Frame Cross Member Pads

Pads mount on top of frame cross members and axles to prevent direct boat keel to trailer frame contact, which can be a problem when a trailer is steeply inclined on a boat ramp.

Full Cap Style

Mounts on the center of any 3" wide cross member or axle. 5/16" thick pad 12" in length with 3/4" deep sides for mounting. Mount using four rivets or screws, two through each side. (Not included)

Model	Description
16871	Yellow TPR
16873	Blue TPR



Edge Cover Style

Model	16870

Mounts on the trailing edge of any width cross member or axle. Mount using two rivets or screws through the top. (Not included).



Panel Brackets



Panel Bracket Assemblies

Strong 11 ga hot dip galvanized panel brackets with rollers and shafts pre-assembled for easy installation. 1/2" wide x 5" tall slots provide plenty of adjustment to fit hull. Mount using 1/2" or 7/16" fasteners.

Model	Width	Slot CTR	Roller #	Shaft #	Panel #
10400G	4"	2"	29524	10721A	10300G
10401G	5"	3"	29515	10722A	10301G
10403G	8"	6"	29502	10725A	10303G
10404G	10"	8"	29501	10726A	10304G
10405G	12"	10"	29500	10727A	10305G

Split Roller Brackets

Model 10500G

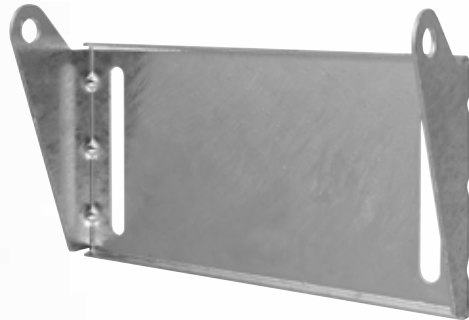
Use in locations where limited space prevents using a one piece panel bracket. Uses a 5/8" shaft. Mounting slot 1/2" wide x 5" tall. Material is 11 ga hot dip galvanized. Dual gussets for added strength. Use 1/2" or 7-16" fasteners. Sold in pairs.



Panel Brackets

Strong 11 ga hot dip galvanized steel with six gussets in the bends for added strength. Uses 5/8" roller shafts. Mounting slots 1/2" wide x 5" tall.

Model	Outside Width	Inside Width	Shaft Length	Shaft #	Slot CTR	Roller #
10300G40	4-1/2"	4-1/4"	5-1/4"	10721A	2"	29524
10301G40	5-1/2"	5-1/4"	6-1/4"	10722A	3"	29515
10303G40	8-1/8"	7-7/8"	8-7/8"	10725A	6"	29502, 29703
10304G40	10-1/4"	10"	11"	10726A	8"	29501, 29704
10305G40	12-1/8"	11-7/8"	13"	10727A	10"	29500, 29511, 29705



Cap Nuts

Cap nuts are hammered on each end of roller shafts to create a long lasting solid connection. Zinc plated. 8 per package.

Model	Fits Shaft Size
10800A	1/2"
10801A	5/8"



Roller Shafts

Zinc plated solid steel.

Roller shafts blister packed each with two cap nuts.

Roller shafts bulk. Not packaged.

1/2" Shafts

Model	Length	Max Grip
10700A	5-1/4"	4.690"
10701A	6-1/4"	5.690"
10705A	12-3/4"	12.190"

5/8" Shafts

Model	Length	Max Grip
10721A	5-1/4"	4.580"
10722A	6-1/4"	5.580"
10725A	8-7/8"	8.205"
10726A	11"	10.330"
10727A	13"	12.330"
10730A	19"	18.330"

1/2" Shafts

Model	Length	Max Grip
10700	5-1/4"	4.690"
10701	6-1/4"	5.690"
10702	13-1/2"	12.940"
10703	5-3/4"	5.190"
10704	4-5/8"	4.065"
10730A	12-3/4"	12.19"

5/8" Shafts

Model	Length	Max Grip
10721	5-1/4"	4.580"
10722	6-1/4"	5.580"
10725	9-1/4"	8.580"
10726	11-1/8"	10.455"
10727	13-1/2"	12.830"
10730	19"	18.330"
10733	8-7/8"	8.205"
10734	13"	12.330"
10735	11"	10.330"

Note: Max Grip is the distance between two cap nuts on a shaft.

TPR Rollers



Model Dia Width Shaft
29705 3-1/8" 11-3/4" 5/8"



Model Dia Width Shaft
29712 2-7/8" 4-7/8" 5/8"



Model Dia Width Shaft
29704 3-1/8" 9-3/4" 5/8"

Model Dia Width Shaft
29730 5" 3" 1-1/8"



Model Dia Width Shaft
29710 2-7/8" 3-7/8" 1/2"



Model Dia Width Shaft
29712 2-7/8" 4-7/8" 5/8"



Model Span Mount Bolt
29751 5-3/4" 3" 3/8"



Model Dia Width Shaft
29703 3-1/8" 7-7/8" 5/8"

TPR Roller Dimensions

Description	Model	Bush	Bushing Desc.	Shaft Hole	Width at Hole	Overall Width	Dia. at Ends	Dia. at Middle	Width of Mid	Depth of Mid	Trans Angle	Shape Width	Shape Height
Keel Roller	29705	Y	White P	0.675	11.687	11.687	3.125	2.110	0.950	0.100	5	/	/
	29704	Y	White P	0.675	9.750	9.750	3.100	2.100	0.960	0.100	5	/	/
	29703	Y	White P	0.675	7.875	7.875	3.080	2.100	0.955	0.100	9	/	/
Spool Roller	29712	Y	White S	0.682	4.965	4.965	2.880	1.980	3.000	/	55	/	/
	29711	Y	White S	0.635	3.800	3.800	2.880	1.750	1.650	/	55	/	/
	29710	Y	White S	0.582	3.800	3.800	2.890	1.750	1.650	/	55	/	/
Bow Roller	29721	Y	White S	0.582	3.825	3.825	3.220	1.840	1.600	/	18	/	/
	29720	Y	White S	0.582	2.963	2.963	2.920	1.450	0.850	/	48	/	/
Bell Ends	29742	N	N	0.520	0.360	1.750	5.215	/	/	/	30	/	/
	29740	N	N	0.520	0.250	1.260	4.510	/	/	/	30	/	/
Bell Assy	29301	N	N	0.500	/	/	/	/	/	/	/	/	/
	29300	N	N	0.500	/	/	/	/	/	/	/	/	/
Keel Pad	16871	N	N	N	11.750	11.750	/	/	/	/	/	3.562	0.320
Wobble Roller	29730	Y	Black Delrin	1.200	1.500	3.000	5.000	/	/	/	/	/	/
Y Bow Stop	29751	N	N	0.500	2.875	5.750	/	/	/	/	/	/	/

Black Rollers



29500



29524



29541



29551

Keel Rollers

Model	Dia.	Width	Shaft
29500	3-1/2"	11-3/4"	5/8"
29501	3-3/8"	9-3/4"	5/8"
29502	3-3/8"	7-7/8"	5/8"
29510	3-3/4"	17-3/4"	5/8"
29511	3-7/8"	11-3/4"	5/8"
29514	3-3/8"	5-3/8"	5/8"
29515	3"	5"	5/8"

Spool Rollers

Model	Dia.	Width	Shaft
29520	3"	7-1/4"	5/8"
29521	3"	7-1/4"	1/2"
29522	3"	4-7/8"	5/8"
29523	3"	4-7/8"	1/2"
29524	3"	3-7/8"	5/8"
29525	3"	3-7/8"	1/2"

Bow Rollers

Model	Dia.	Width	Shaft
29540	3"	3-1/8"	1/2"
29541	3-1/2"	3-3/4"	1/2"

Bow Y Stop

Model	Span	Mount	Bolt
29550	7"	4x4"	1/2"
29551	6-5/8"	3x3"	1/2"
29552	4"	2x2"	3/8"

Keel Roller End Guards

Model	Dia.	Width	Shaft
29570	2-1/2"	1-1/4"	1/2"
29580	3"	1-1/4"	1/2"
29600	3-1/2"	1-5/6"	5/8"



29541



29562



Jon Boat Bow Stop

Model	Span	Mount	Bolt
29553	5-1/2"	3x3"	1/2"

Roller Bunk Roller & End Cap

Replacements for 27700 & 27710 Roller Bunk Guide-Ons.

Model	Dia.	Width	Shaft
29566	2-1/2"	1-7/8"	1/2"
29567	2-1/2"	1-1/4"	5/8"



Side Guide Rollers

Model	Dia.	Height	Shaft
29560	2-1/2"	11-7/8"	1/2"
29561	2-1/2"	11-7/8"	5/8"
29562	2"	8-3/4"	1/2"
29565	2-1/2"	8-3/4"	5/8"



29590

Side Guide Roller End Guards

Model	Dia.	Height	Shaft
29590	2"	1-3/4"	1/2"
29591	2-1/2"	2"	1/2"
29592	2-1/2"	2"	5/8"



29566

Steel Plate Center Wobble Roller

Model	Dia.	Width	Shaft
29532	4-3/8"	4-3/8"	3/4"

Wobble Rollers (Ribbed)

Model	Dia.	Width	Shaft
29530	4-3/8"	3"	3/4"
29531	4-3/8"	3"	5/8"
29533	5"	3"	3/4"
29534	5"	3"	5/8"
29535	5"	3"	7/8"
29537	5"	3"	1-1/8"
29538	5"	3"	1"



29567



29531



29530



29533

<i>Description</i>	<i>Model</i>	<i>Bushing</i>	<i>Bushing Desc.</i>	<i>Shaft Hole</i>	<i>Width at Hole</i>	<i>Overall Width</i>	<i>Dia. at Ends</i>	<i>Dia. at Middle</i>	<i>Width of Mid</i>	<i>Depth of Mid</i>	<i>Trans Angle</i>	<i>Shape Width</i>	<i>Shape Height</i>
Keel Roller	29510	Y	White P	0.675	17.750	/	3.680	2.575	1.450	0.050	2	/	/
	29500	Y	White P	0.675	11.812	/	3.380	2.290	1.000	0.125	5	/	/
	29501	Y	White P	0.675	9.750	/	3.375	2.275	1.200	0.125	6	/	/
	29502	Y	White P	0.675	7.875	/	3.335	2.300	1.200	0.125	9	/	/
KR Heavy Duty	29511	Y	White P	0.675	11.750	/	3.800	2.550	0.875	0.150	5	/	/
	29514	Y	Nylon P	0.675	5.420	/	3.375	2.530	2.580	0.200	18	/	/
	29515	Y	Sleeve	0.675	4.687	/	3.000	2.125	0.250	0.130	8	/	/
Spool Roller	29520	Y	Sleeve	0.650	7.312	/	2.950	2.300	5.150	0	40	/	/
	29521	Y	Sleeve	0.648	7.312	/	2.950	2.300	5.150	0	40	/	/
	19522	Y	Sleeve	0.650	4.935	/	3.000	2.000	2.820	0	45	/	/
	29523	Y	Sleeve	0.648	4.935	/	3.000	2.000	2.800	0	45	/	/
	29524	Y	Sleeve	0.520	3.915	/	2.950	1.750	1.750	0	55	/	/
	29525	Y	Sleeve	0.648	3.890	/	3.970	1.750	1.750	0	55	/	/
Bow Roller	29541	N	N	0.530	3.790	/	3.465	2.850	0.000	0	15	/	/
	29540	N	N	0.550	3.135	/	2.980	1.570	0.550	0	35	/	/
Y Bow Stop	29550	N	N	0.550	3.975	/	/	/	/	/	/	7.000	4.000
	29551	N	N	0.550	3.000	/	/	/	/	/	/	6.625	3.000
	29552	N	N	0.425	2.000	/	/	/	/	/	/	4.000	2.050
Jon Block	29553	N	N	0.550	2.975	/	/	/	/	/	/	5.450	3.080
End Caps	29600	N	N	0.675	0.900	1.335	3.525	/	/	/	/	/	/
	29580	N	N	0.540	0.900	1.275	2.975	/	/	/	/	/	/
	29570	N	N	0.550	0.900	1.275	2.500	/	/	/	/	/	/
	29592	N	N	0.675	1.400	2.000	2.525	/	/	/	/	/	/
	29591	N	N	0.615	1.400	2.000	2.525	/	/	/	/	/	/
	29590	N	N	0.550	1.450	1.885	2.000	/	/	/	/	/	/
Side Guides	29562	N	N	0.540	8.800	/	2.000	/	/	/	/	/	/
	29560	Y	Sleeve	0.540	11.875	/	2.500	/	/	/	/	/	/
	29561	Y	Sleeve	0.650	11.875	/	2.525	/	/	/	/	/	/
	29565	Y	Sleeve	0.650	8.750	/	2.515	/	/	/	/	/	/
Bunk Roller	29566	N	N	0.520	1.875	1.875	2.500	/	/	/	/	/	/
Bunk End	29567	N	N	0.520	0.875	1.250	2.500	/	/	/	/	/	/
Keel Pad	16870	N	N	0.190	/	1.500	/	/	/	/	/	10.0	0.375
Wobble Roller	29532	Y	STEEL PLATE	0.870	0.200	4.200	4.365	/	/	/	/	/	/
Wobble Roller	29530	Y	Press in	0.750	1.530	3.000	4.350	/	/	/	/	/	/
(Ribbed)	29537	Y	Press in	1.200	1.500	3.000	4.950	/	/	/	/	/	/
	29531	Y	Press in	0.675	1.500	3.000	4.350	/	/	/	/	/	/
	29533	Y	Press in	0.875	1.500	3.000	4.950	/	/	/	/	/	/
	29534	Y	Press in	0.675	1.500	3.000	4.950	/	/	/	/	/	/
	29535	Y	Press in	0.875	1.500	3.000	4.950	/	/	/	/	/	/
	29538	Y	Press in	1.000	1.500	3.000	4.950	/	/	/	/	/	/

Bow Bell Assemblies

Bow Bell Assemblies

Durable thermo plasticized rubber (TPR) bow bell assemblies help to center the boat and prevent bow to bowstand contact. 2 sizes to fit bow stands with a 3" wide or 4" wide center roller bracket.

Model	Color	Dia.	Overall Width	Bracket Width	Shaft
29300	Yellow	4-1/2"	6"	3"	1/2"
29301	Yellow	5-1/4"	8"	4"	1/2"
29330	Blue	4-1/2"	6"	3"	1/2"
29331	Blue	5-1/4"	8"	4"	1/2"
29332	Black	4-1/2"	6"	3"	1/2"
29333	Black	5-1/4"	8"	4"	1/2"



Assembly Hardware

Model	Description
11098ZY	4" Assembly Bolt - 1/2"x6"
11096ZY	3" Assembly Bolt - 1/2"x5"
10961ZY	Washer
10812ZY	Nylon Lock Nut

Center Rollers

Model	Color	Dia.	Spool Width	Shaft
29409	Black	3-1/4"	3-7/8"	1/2"
29410	Black	2-7/8"	3"	1/2"
29412	Blue	3-1/4"	3-7/8"	1/2"
29413	Blue	2-7/8"	3"	1/2"
29720	Yellow	3-1/4"	3-7/8"	1/2"
29721	Yellow	2-7/8"	3"	1/2"

Bells

Model	Color	Dia.	Width	Shaft
29414	Blue	5-1/4"	1-3/4"	1/2"
29415	Blue	4-1/2"	1-1/4"	1/2"
29418	Black	4-1/2"	1-1/4"	1/2"
29419	Black	5-1/4"	1-3/4"	1/2"
29740	Yellow	4-1/2"	1-1/4"	1/2"
29742	Yellow	5-1/4"	1-3/4"	1/2"



Ribbed Roller Kits

Ribbed Roller Kit

Rollers and hardware are all in a handy blister pack. Zinc plated washers and retainer rings. Each kit includes:

- 4- 5" x 3" Ribbed rollers to fit 1-1/8" shaft
- 4- Bushings to fit rollers to 3/4" shaft
- 4- Washers for 1-1/8" shaft
- 4- Washers for 3/4" shaft
- 4- Retainer rings

Model	Color
29210	Black
29310	Yellow
29320	Blue



Wobble Roller Washers & Retainers

Model	10980
-------	-------

Used by many trailer manufacturers to secure wobble rollers onto their individual shafts. Zinc plated. Two retainer rings and Two 1-1/8" washers per blister package.



Pyramid Washers

Model	10806A
-------	--------

Better for trailer bracket applications than conventional flat washers. Pyramid dome shape creates more grip and distributes the bolting load fully to the outside edges of the washer greatly improving bracket strength. 7/16". Zinc plated. Packaged 8 per blister.



Dollies

Personal Watercraft (PWC) Dolly

Model 27575

The ideal dolly for moving a small vessel such as a jet ski, jon boat, small sail boat, dingy or inflatable around on any hard surface. Great for moving a vessel into a storage space or as a vessel display platform in a showroom. Constructed from strong 1-1/2" square galvanized steel tubing with rugged 4" casters. Topped with 4' carpeted bunks that adjust to gently support the vessel. Bunk spacing can be set at 12", 16" or 20" as needed for best support. 1,000 lb. capacity. Comes complete as shown. (Jet ski not included. Assembly is required.

Dimensions: 34" W x 48" L x 19" H



PWC Dolly Replacement Parts

Model 2-40SB1

4" diameter x 1-1/4" wide caster (sold individually).

Outboard Motor Dolly

Model 27580

Made from 14 gauge powder coated steel with a weather resistant synthetic wood mounting block this outboard motor dolly makes it easy to transport and hold your motor weighing up to 250 lbs. 8" wheels and 4" casters with an overall height of 45", enough to fit a long shaft outboard motor. This outboard motor dolly folds flat to easy storage when not in use. Some assembly required.



Heavy Duty Trailer Dolly

Model 27550

Great for maneuvering a trailer without need of a tow vehicle. Supports up to 700 lbs of trailer tongue weight. 4.10 x 3.50 x 6 pneumatic tires (12" tall) for maximum control. Dolly stands a full 28-1/2" overall width, stable for tracking. Hand grip is 11" wide. Handle is 48" long from the hand grip to the axle. 1-7/8" hitch ball. Load carrying height is 16" from ground to the top of ball. Comes boxed complete as shown. Some assembly required.



Heavy Duty Trailer Dolly Replacement Wheel

Model 27550-20

Trailer Hubs & Components

Trailer Hub Kits

Smart trailer owners, carry a Smith replacement hub kit. Smith's pre-greased replacement hub kits come in a handy hard carry case complete with a fresh cotter pin, dust cap and wheel nuts. Available in all popular sizes for all types of trailers. Cast iron hubs painted black. Zinc plated fasteners, cotter pin and dust cap. Pre-greased with heavy duty marine grade grease to cut down on mess and make installation on the axle much easier.



Model	Stud / Tapped	Spindle Diameter, Shape, Grease Seal ID	# Studs x Bolt Circle Diameter	Load Capacity	Wheel Flange Dia.	Max Wheel Size	Dust Cap Size	Package
13100	T	1", Straight, 1.250"	4 x 4"	1250	5-9/16"	12"	1.98"	Carry Case
13109	S	1-1/16", Straight, 1.500"	4 x 4"	1350	5-9/16"	12"	1.98"	Carry Case
13110	S	1", Straight, 1.250"	4 x 4"	1250	5-9/16"	12"	1.98"	Carry Case
13210	S	1", Straight, 1.250"	5 x 4-1/2"	1250	5-9/16"	12"	1.98"	Carry Case
13311	S	1-1/16", Straight, 1.500"	5 x 4-1/2"	1350	6-1/2"	14"	1.98"	Carry Case
13511	S	1-3/8" Tapered to 1-1/16", 1.719"	5 x 4-1/2"	1750	6-1/2"	15"	1.98"	Carry Case
13611	S	1-3/8" Tapered to 1-1/16"	6 x 5-1/2"	1750	6-3/4"	16"	1.98"	Carton
13711	S	1-3/4" Tapered to 1-1/4"	6 x 5-1/2"	3000	7-1/4"	16"	2.44"	Carton
13811	S	1-3/4" Tapered to 1-1/4"	6 x 5-1/2"	3500	8-1/2"	16"	2.72"	Carton



Galvanized Trailer Hub Kits

Galvanized hubs are hot dip galvanized to protect from corrosion. These hubs come fully assembled and pre-greased, which cuts down on the mess and makes final installation on the axle much easier. Just like our cast iron painted hub kits, each kit comes in a hard carry case and is ready for installation. Includes dust cap, cotter pin, and lug nuts.

Model	Stud / Tapped	Spindle Diameter, Shape, Grease Seal ID	# Studs x Bolt Circle Diameter	Load Capacity	Wheel Flange Dia.	Max Wheel Size	Dust Cap Size	Package
13215	S	1", Straight, 1.250"	5 x 4-1/2"	1250	5-9/16"	12"	1.98"	Carry Case
13315	S	1-1/16", Straight, 1.500"	5 x 4-1/2"	1350	6-1/2"	14"	1.98"	Carry Case
13515	S	1-3/8" Tapered to 1-1/16", 1.719"	5 x 4-1/2"	1750	6-1/2"	15"	1.98"	Carry Case



Bearing Kits (E-F)

The most economical way for the do-it-yourself trailer owner to replace worn or damaged bearings. Each kit contains new inner and outer bearings, a new double lip grease seal and a fresh cotter pin. Bearings are marked with the identification numbers shown on the cart below.

Model	Spindle Type	Spindle Diameter	Outer Bearing Race (E)	Outer Bearing Cup (F)	Outer Hub ID	Inner Bearing Race (E)	Inner Bearing Cup (F)	Inner Hub ID
27110	Straight	3/4"	LM11949	LM11910	1.78"	LM11949	LM11910	1.78"
27111	Straight	1"	LM44643	LM44610	1.98"	LM44643	LM44610	1.98"
27112	Straight	1-1/16"	LM44649	LM44610	1.98"	LM44649	LM44610	1.98"
27113	Straight	1-1/4"	LM67048	LM67010	2.32"	LM67048	LM67010	2.32"
27115	Tapered	1-1/16" to 1-3/8"	LM44649	LM44610	1.98"	LM68149	LM68111	2.56"



Dust Caps (A)

Model	16200A
-------	--------

Packaged two caps per blister pack. Fits hub ID 1.980".



Dust Caps with Plugs

Model	1620540
-------	---------

Removable cap to make greasing your hubs easy! Packaged two caps per blister pack. Fits hub ID 1.980".



Grease Seals (G)

Smith double lip grease lip seals with gripper springs are the best available and provide a tight long lasting seal. Two per pack.

Seal Model	Seal Number	Spindle OD	Spindle Type	Land OD	Hub ID
16305A	10174VB	3/4"	Straight	1.000"	1.781"
16303A	12192TB	1" or 1-1/16"	Straight	1.250"	1.979"
16306A	15234VB	1-1/4"	Straight	1.500"	2.328"
16302A	17125TB	1-1/16" to 1-3/8"	Tapered	1.719"	2.561"



Hub Components (Cont.)

Wheel Mounting Nuts and Bolts

The most commonly used wheel mounting hardware. Packaged 5 per blister pack.

Model	Finish	Description	Size
11052A	Zinc	Wheel Nut	1/2"-20
11062A	Zinc	Wheel Bolts	1/2"-20 x 1-5/8"
16720A	Chrome	Acorn Nut	1/2"-20



Spindle Nuts (B-C-D)

Model	11065A
Kit includes:	two 1" shaft spindle nuts, two 1" shaft washers and two 1-3/4" long cotter pins.

Kit includes: two 1" shaft spindle nuts, two 1" shaft washers and two 1-3/4" long cotter pins.



Bearing Protectors

Designed to reduce wear and tear by maintaining a slight positive pressure inside your hubs, which keeps corrosion causing moisture out, extending the life of your trailer's wheel bearings. These bearing protectors are made of chromed steel for prolonged durability, while custom fitted PVC covers keep road grime out and grease in.

Model	Fits Dust Cap Size
16270	1.781"
16271	1.985"
16272	2.328"
16273	2.441"



Axles & Axle Tie Plate Kits

Galvanized Axles

Model	Overall Length	Hub Face Length	Spring Center	Spindle Dia.	For Frame Width	Studs x Bolt Circle Hub Style	Capacity
33201GA	62"	57-1/2"	46-1/2"	1-1/16"	48"	N/A	1,800 lbs.
33002GA-W	54"	49"	38-1/2"	1-1/16"	40"	5 x 4-1/2" Studs	1,500 lbs.



Axle Tie Plate Kits

Everything needed to mount fresh springs to an axle. Each Blister packaged kit includes: 2 galvanized tie plates, 4 yellow zinc plated u-bolts, and 8 zinc plated nuts and lock washers.

Model	Axle Shape	Axle Size
23000	Round	1-3/4"
23002	Round	2-3/8"
23003	Round	3"
23102	Sqaure	1-1/2"
23101	Square	2"



Trailer Springs



Double Eye Springs
(Shown above left)



Model	Number Leaves	Width	Length Eye CTR to Eye CTR	Eye Level to top of Spring Height	Shackle Bolt	Capacity per Spring	Weight per Spring	End Style
16420	3	1-3/4"	25-1/8"	3-1/8"	9/16"	1250 lbs	10 lbs	Eye-Eye
16421	4	1-3/4"	25-1/8"	3-1/4"	9/16"	1830 lbs	13 lbs	Eye-Eye
16422	3	1-3/4"	25-1/4"	3"	9/16"	2000 lbs	12 lbs	Eye-Eye
16423	4	1-3/4"	25-1/4"	3"	9/16"	2500 lbs	14 lbs	Eye-Eye
16424	5	1-3/4"	25-1/4"	3-1/8"	9/16"	3000 lbs	16 lbs	Eye-Eye

Slipper Springs
(Shown above right)

Model	Number Leaves	Width	Length Eye CTR to Eye CTR	Eye Level to top of Spring Height	Shackle Bolt	Capacity per Spring	Weight per Spring	End Style
16400	1	1-3/4"	24-5/8"	4-1/2"	1/2"	250 lbs	4 lbs	Eye-Radius
16401	2	1-3/4"	24-5/8"	4-1/2"	1/2"	500 lbs	6 lbs	Eye-Radius
16406	3	1-3/4"	25-1/8"	5"	9/16"	705 lbs	8 lbs	Eye-Flat
16407	3	1-3/4"	24-5/8"	4"	9/16"	750 lbs	7 lbs	Eye-Radius
16408	4	1-3/4"	24-5/8"	4"	9/16"	1,000 lbs	9 lbs	Eye-Radius
16409	5	2"	27"	3-1/2"	9/16"	3,000 lbs	21 lbs	Eye-Hook
16413	6	2"	29-1/2"	3-1/2"	9/16"	4,000 lbs	30 lbs	Eye-Hook

Fluted 9/16" Shackle Bolts and Lock Nuts

For 9/16" eye springs and spring hanger brackets. Fluted shank prevents the bolt from turning in the bracket to prevent bracket wear. 9/16"-18 thread bolts and special locknuts. 2 per pack.

Model	Bolt Shank Length
11030A	3"
11031A	3-1/2"



Multi-Sport Trailer

Multi-Sport Trailer

Smith's multi-sport trailer can ship to the customer's door by UPS or by truck and assembles easily using common tools. Everything you need to carry a small boat, inflatable, or PWC up to about 12' long is included. The multi-sport trailer's strong galvanized steel frame is built to carry up to an 800 lb load. Includes DOT approved lights, a pair of 5' adjustable carpeted bunk boards with dual adjustable supports, winch stand, winch, hook and strap, 4.80 x 8" tires and a hitch coupler with safety chains. Rated for use at highway speed. Winch stand can be mounted anywhere along the tongue to balance the load. Proper loading is always critical for safe trailering.

Model	Description	Shipping Method
48810	Trailer in 3 Cartons	UPS
48815	Trailer in 1 Carton	Truck

Replacement Parts

Model	Description
31005PG	Bow Stop Bracket Long
17700G-H38	Fender
16520	8" Tire & Wheel Assembly
16860	Tail Light Kit
30117-PGP	90" Extra Long Tongue (Optional)



Tips & Tricks: How do I know if I have proper weight distribution?

A trailer is properly balanced when the tires are carrying 85% of the gross vehicle weight with the remaining 15% carried by the hitch ball. For example: trailer + boat + motor + gas + all gear etc = 600 lbs, then the load must be moved forward or backward on the trailer such that the hitch ball is carrying $600 \times 0.15 = 90$ lbs. Too little weight resting on the hitch ball causes dangerous trailer sway. Safe trailering!

Multi-Sport Plus

Multi-Sport Plus Trailer

Building off the popularity of our multi-sport trailer the multi-sport plus trailer offers a longer tongue and larger tires. This trailer includes everything needed to carry a small boat, inflatable, or PWC up to 14' long. The multi-sport plus trailer's frame is built to carry up to an 800 lb load and includes DOT approved lights, a pair of 5' adjustable carpeted bunk boards with dual adjustable support, winch stand, winch hook and strap, and a hitch coupler with safety chains.

The 4.80 x 12" tires are rated for use at highway speeds, and the winch stand can be mounted anywhere along the 86" tongue to balance the load because a properly balanced load is critical for safe trailering.

Model	Description	Shipping Method
48870	Trailer in 4 Cartons	UPS



The Multi-Sport Plus can accommodate our Smith Post Guide-Ons. (Guide-Ons sold separately.)

Fenders

C.E. Smith Company can provide you with custom sized fenders with a minimum order quantity. Please contact us for more information.

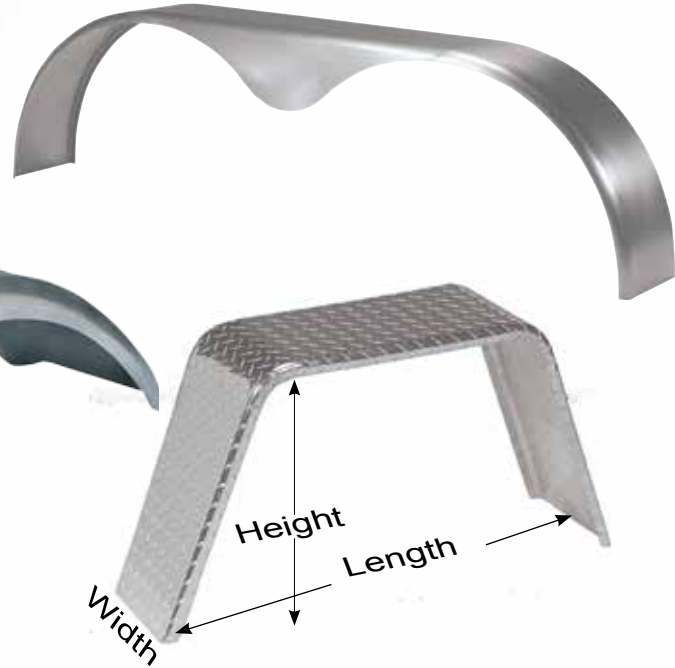


Round Steel Pre-Galv Single Axle

Model	MATL	Width	Length	Height	Tire
17700G	16 ga	7"	20"	6"	8"
17701G	16 ga	7"	23-1/2"	6-1/2"	10", 12"
17800G	16 ga	8"	27-3/8"	11"	13"
17900G	16 ga	9"	31-1/2"	13"	14", 15"

Round Aluminum Tread Single Axle

Model	MATL	Width	Length	Height	Tire
17701ATB	.100	7"	23-1/2"	6-1/2"	12"
17960ATB	.100	9"	28"	16"	13"
17100ATB	.100	10"	32"	16"	14"



Steel Plain Tandem Axle with Valance

Model	MATL	Width	Length	Height	Valance	Tire
17318	16 ga	10"	72"	20-1/2"	7-1/2"	15", 16"
17217	16 ga	9"	72"	20-1/2"	7-1/2"	15", 16"

Jeep Style Aluminum Tread Single Axle

Model	Width	Length	Height	Flat Top	Tire	Flange
18041ATB	10"	36"	19-1/4"	22"	13-15"	1"

Steel Plain Tandem Axle with Valance

Model	MATL	Width	Length	Height
17700	16 ga	7"	20"	6"
17717	16 ga	7"	16-1/4"	3-5/8"
17720	16 ga	7"	22-1/2"	8-1/4"
17721	16 ga	7"	25-3/4"	10-5/8"
17920	16 ga	9"	28-1/2"	12-15/16"



Plastic Step Fenders

Model	Color	Material	Width	Length	Height	Tire
19502	Grey	Polypropylene	9"	37-3/8"	9-3/8"	12"
19503	Black	Polypropylene	10"	40-3/16"	10-3/8"	13"
19504	Black	Polypropylene	11-1/4"	43-1/8"	12-1/4"	14"

Plastic Round Fenders

Model	Color	Material	Skirt	Width	Length	Height	Tire	Mounting Holes
19500	Grey	Polypropylene	4-1/2" Skirt	7"	20-5/8"	6"	8", 10", 12"	2-1/2" Centers
19501	Grey	Polypropylene	Without Skirt	7"	20-5/8"	6"	8", 10", 12"	2-1/2" Centers



Fender Mounting

Bolt-on Fenders Step Pads/ Mounting Brackets

Model 26212GA

Mounts a fender securely to frame and serves as a step pad. Slotted holes on top of each bracket for mounting to underside of virtually any size or style frame rail. Slotted holes on the sides accept bolts to mount any round or jeep style fenders of any width. May be used to mount single fenders or used between multiple single fenders on tandem or triple axle trailers. Galvanized 12 gauge steel. 3" wide, 1-3/16" tall and 15-1/4" in length.



Bolt-on Fender Mounting Brackets

Easy to use fender mounting brackets are suitable for many applications with no welding required. Brackets are designed to mount to the frame and fender using 3/8" bolts, washers and nuts. Two brackets per pack. Hardware not included.

Model	Finish	MATL	Height	Width	Fender Width	Tire
26062GA	Galv	3/16"	5-1/4"	6"	7", 8"	8", 10", 12"
26099GA	Galv	1/4"	8-1/4"	6-1/2"	9", 10"	12", 13", 14", 15"



26062GA



26099GA



26099GA

Bolt-on Fender Mounting Brackets for Round Plastic Fenders

Easy to use fender mounting brackets are suitable for many applications with no welding required. Brackets are designed to mount to the frame and fender using 3/8" bolts, washers and nuts. Two brackets per pack. Hardware not included.

Model	Finish	MATL	Height	Width	Fender Width	Tire	Bolt Centers	Fits Fenders
26065PG	Pre-Galv	1/8"	2-1/2"	6"	7"	8", 10", 12"	2-1/2"	19500, 19501





SMITH™

C.E. Smith Company, Inc.
1001 Bitting St Greensboro, NC
336-273-0166 or 800-334-2490
www.cesmith.com

Facilities in Greensboro, NC USA:

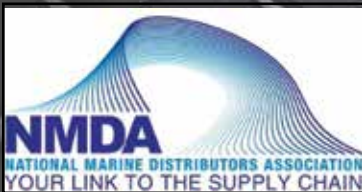
- 85,000 sq. ft. Manufacturing Facility
- 60,000 sq. ft. Warehouse/Distribution Facility

Order Processing

- EDI
- On-time Delivery

ISO 9001: 2015

- ISO Certified since May 2002



Scan to visit cesmith.com

We stand behind our products 100%