

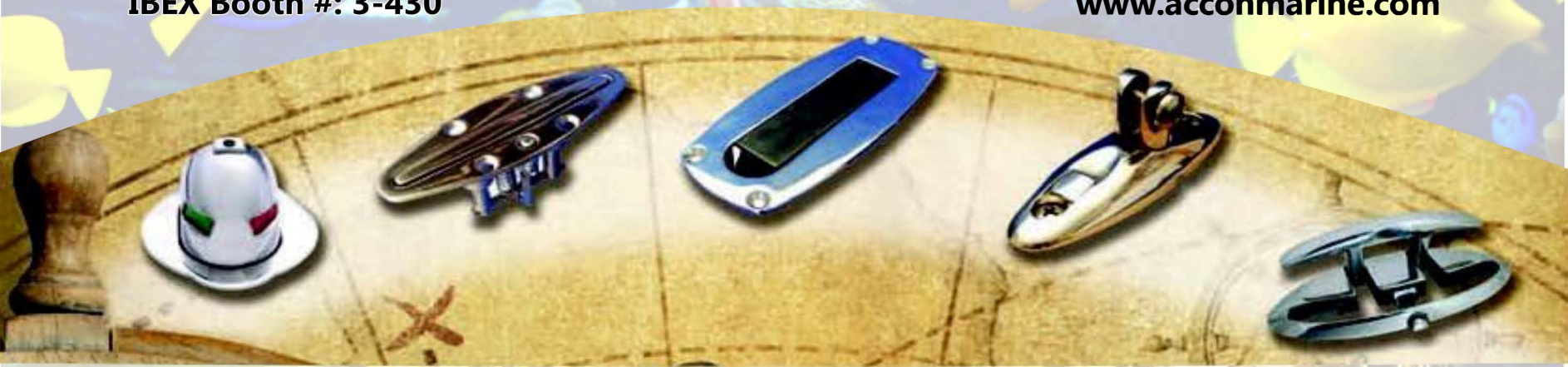
Accon Marine, L.L.C.

As a family owned and operated company, Accon Marine strives to provide the marine industry with the highest quality, most innovative hardware and accessories available anywhere. As boaters, we know that the quality and function of a boat's hardware affects the owner's satisfaction with the boat—so our products have to meet our high standards before they are introduced to the industry.

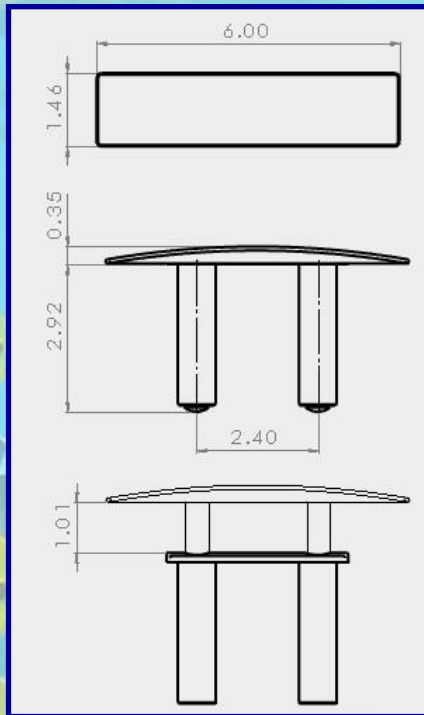
- Fender Hangers
- Line Chocks
- Lifting Hardware
- Tie Downs
- Pop-Up Lights,
- Ski Tow & More!

IBEX Booth #: 3-430

www.acconmarine.com



NEW PRODUCTS *Accon Marine, LLC*



Rectangular Style Cleat—PN 490

- Currently available in 6" - other sizes coming soon
- Hand polished marine grade 316 stainless steel
- No cut-out required
- Mounded base allows water to run off the cleat

Brushed Stainless Finish

- New matte brushed finish
- Available in a variety of cleat styles
- Marine grade 316 stainless steel
- 400 hour salt spray tested



Accon Marine, LLC

Phone: 727-572-9202 Fax: 727-572-7621

www.acconmarine.com